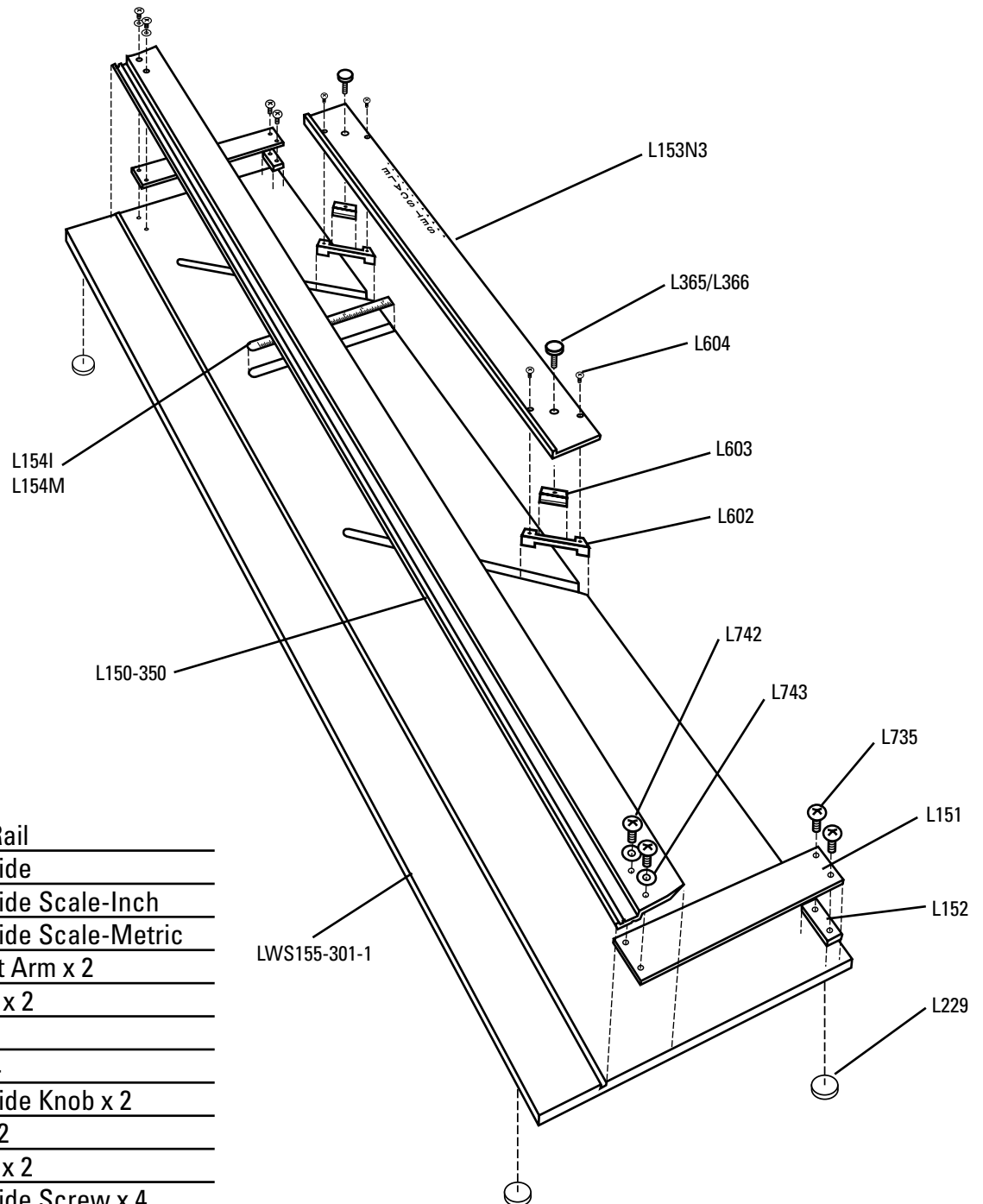


COMPACT CLASSIC MAT CUTTER

MODEL 301-1

PARTS DIAGRAM



Parts List

| | |
|--------------|------------------------|
| L150-350 | Guide Rail |
| L153N3 | Mat Guide |
| L154I | Mat Guide Scale-Inch |
| L154M | Mat Guide Scale-Metric |
| L151 | Support Arm x 2 |
| L152 | Spacer x 2 |
| LWS155-301-1 | Board |
| L229 | Feet x 4 |
| L365/L366 | Mat Guide Knob x 2 |
| L602 | Slide x 2 |
| L603 | Wedge x 2 |
| L604 | Mat Guide Screw x 4 |
| L742 | Guide Rail Screw x 4 |
| L743 | Guide Rail Washer x 4 |
| L735 | Support Arm Screw x 4 |

